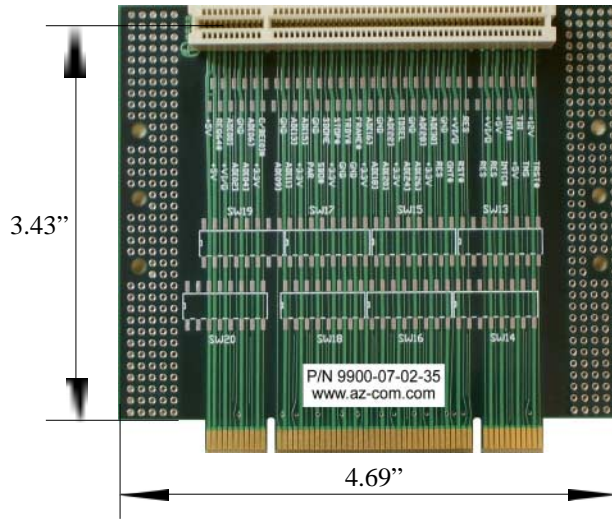




# PCI Passive Extender 32 bit Right Angle

PCI Passive Extender is a classic device used for testing, debugging and developing of PCI adapter cards. It positions inserted PCI card “components up”. It is a four-layer board with all signals clearly marked. Breadboard area allows for easy installation of custom components.

Addition of the optional pin headers transforms the PCI Mini Extender into a diagnostic tool by providing easy access to all signals for logic analyzer probes. Optional bus switches allow to disconnect any desired signals between top and bottom of the extender. Available in 3.3V, 5V and Universal (voltage key removed) versions.



## **SPECIFICATIONS:**

**P/N 9900-07-02-33** 3.3V connector

**P/N 9900-07-02-35** 5V connector

**P/N 9900-07-02-3U** universal connector

*(-H suffix adds Pin Header - 9900-07-02-33-H*

*-S suffix adds DIP Switches - 9900-07-02-33-S)*

PCB material FR4: 0.064

Maximum Current: Power 1A/pin, Signal 50mA/pin

Dimensions: 7.50" x 5.55 (190.5 mm x 141mm)

Weight: 3.7 Oz (105 Gram)

Optional Pin Header: 2x31, 0.100 spaced, 0.025 post